



AQUAGENESIS®
I N T E R N A T I O N A L



ROBO SNAIL®

Quick Start Guide

QUICK START GUIDE

ROBOSNAIL® QUICK START GUIDE

Congratulations on your purchase of the RoboSnail from AquaGenesis! This state-of-art product is capable of cleaning the front viewing glass of varying sized aquariums by itself.

Regardless if your aquarium is constructed with a standard black-banded support brace, rimless, installed in open area, or in-wall, this product will work for you .

This Quick Start Guide will help you install your RoboSnail and get it cleaning.

For more information about using your RoboSnail, refer to the RoboSnail User manual published on our web site at www.robosnail.com for details and video tutorials, troubleshooting tips etc.

You will also need to know if this product is suited for your aquariums glass thickness. Please refer to the recommended operating parameters of the RoboSnail for more details. Maximum glass pane thickness should not exceed 0.40" (10mm) glass thickness.

Prior to initial use there are just a few simple steps you will go through:

1. Install the docking station with guide arms on the aquarium.
2. Fully charge the battery pack before use.
3. Program RoboSnail.
4. Start your RoboSnail to conduct a manual cleaning or simply wait for the 24-hour count-down cycle to complete for initial automatic cleaning.

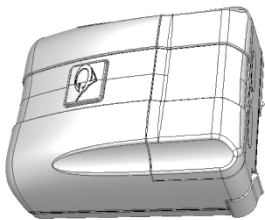
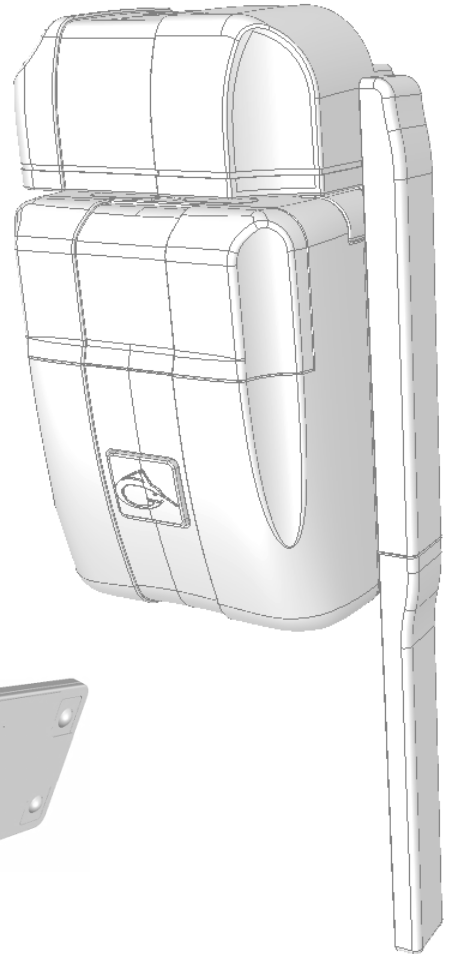
Table of Contents

4	Packing Check List for your ROBOSNAIL®
5	1. GLASS PREPARATION FOR AQUARIUM
6	2. INSTALL THE DOCKING STATION WITH GUIDE ARMS ON AQUARIUM
9	3. POWER UP DOCKING STATION, INSTALL BATTERY FOR ROBOSNAIL®
10	4. MOUNT ROBOSNAIL® AND SWEEPER ONTO AQUARIUM
13	5. Program ROBOSNAIL® cleaning path
15	6. ROBOSNAIL® is ready for Cleaning Duty
16	7. Tips on Cleaning tires for ROBOSNAIL® for optimum performance
17	IMPORTANT: Safety Warnings
18	Warranty
19	Disclaimer

Packing Check List for your ROBOSNAIL®

To get started, unpack all items and make sure they are in good order:

- ❶ RoboSnail
- ❷ Docking Station
- ❸ Guide arms (upper & lower)
- ❹ Battery pack (NiMH 4.8V 700mAh)
- ❺ Sweeper with sweeper pad
- ❻ AC/DC power adaptor (Output: 9Vdc 0.5A)
- ❼ Velcro / mounting hook tape
- ❽ RoboSnail Quick Start Guide



❶



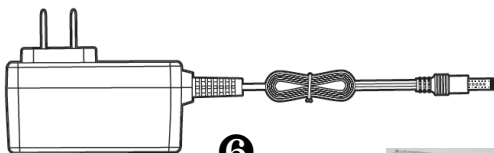
❷



❺



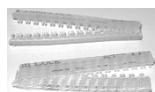
❸



❻



❺

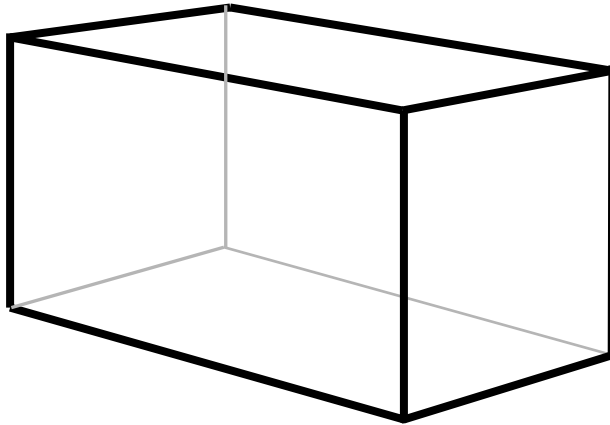


❼



❽

1. GLASS PREPARATION FOR AQUARIUM



Step 1. Glass Preparation of Inner Surface (Wet side)

Prepare the inside of main viewing glass that the RoboSnail will clean as follows:

- Remove all types of animals that attach themselves to the aquarium's glass surfaces. These types of animals such as star fish, snails, algae eating fishes, etc., can not be used with the RoboSnail. These types of animals may cause magnetic decoupling of the cleaner, damaging the main unit.
- Remove and reposition all pumps, wires, rocks, decorations etc., that will impede the RoboSnail's cleaning path.
- Restore your inner glass surface to a spotless condition by cleaning the surface of all algae, build up, or mineral deposits.
- Level out your substrate (gravel, rocks, sand), to optimize the RoboSnail's cleaning parameters.

Step 2. Glass Preparation of Outer Surface (Dry side)

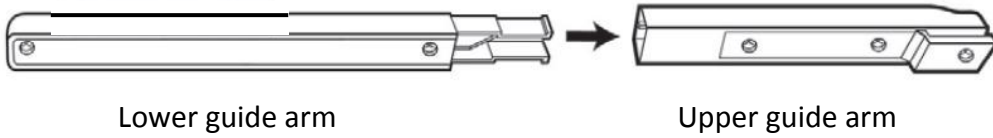
Clean the outside of main viewing glass that the RoboSnail will drive on as follows:

- Clean the glass surface of all moisture, greasy residues and dust to ensure proper traction of the main unit. **OUTSIDE GLASS MUST BE DRY!**
- Remove and reposition all pumps or equipment that will impede the RoboSnail's cleaning path.

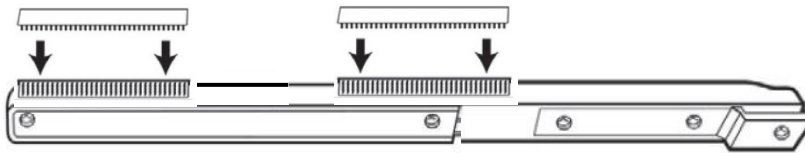
NOTE: *Prepare the aquarium glass surface by thoroughly cleaning the glass with a glass cleaner, and a clean dry cloth. Ensure glass is completely dry, and free of any residues before RoboSnail is installation.*

2. INSTALL THE DOCKING STATION WITH GUIDE ARMS ON AQUARIUM

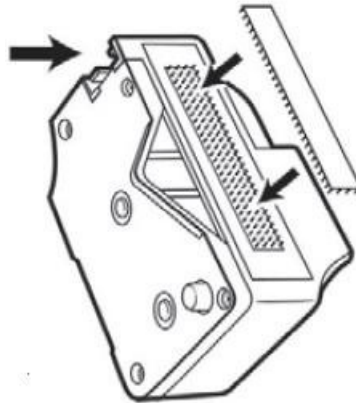
Step 1. Connect the two guide arms into one.



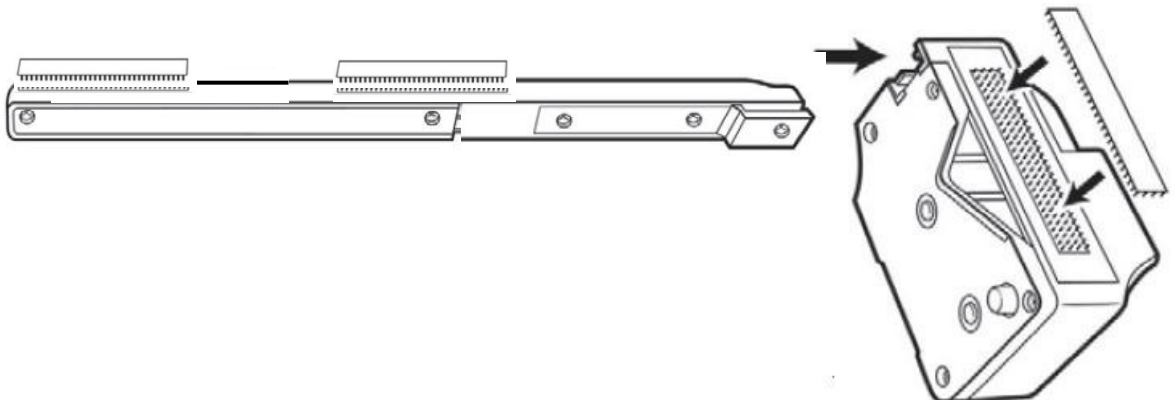
Step 2. Stick two pairs of hook tape onto guide arms.



Step 3. Stick one pair of hook tape onto docking station.

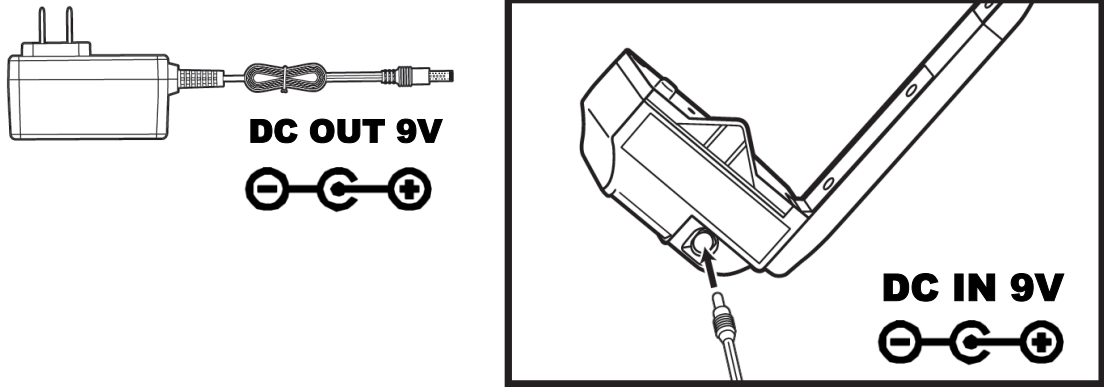


Step 4. Link guide arms to docking station.



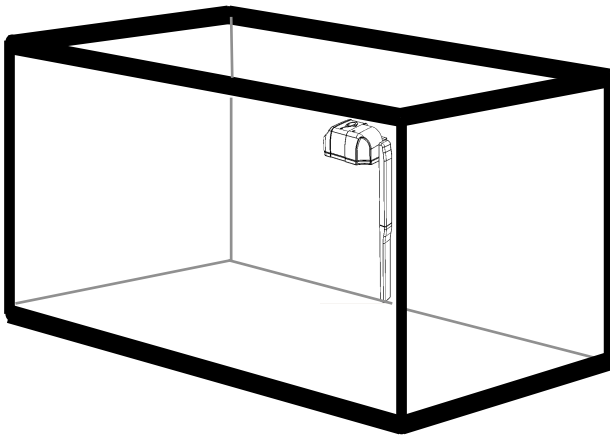
2. INSTALL THE DOCKING STATION WITH GUIDE ARMS ON AQUARIUM

Step 5. Plug in DC plug of power adaptor to docking station first.

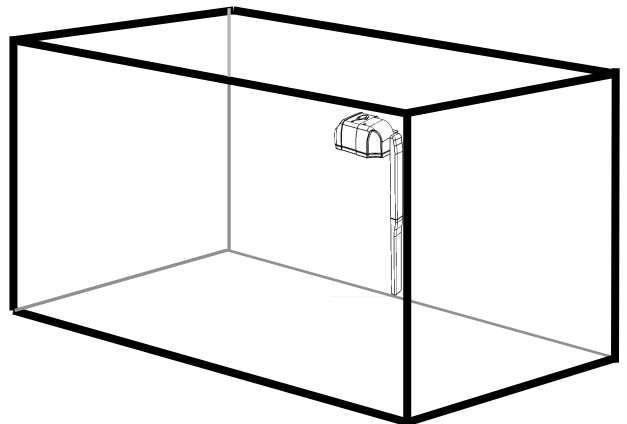


NOTE: DO NOT plug adaptor to main outlet at this moment.

Step 6. Remove protective sheets from back of hook tape on guide arms and docking station. Mount fully assembled docking station firmly to upper right edge of aquarium vertically.



Standard black-band type Aquarium

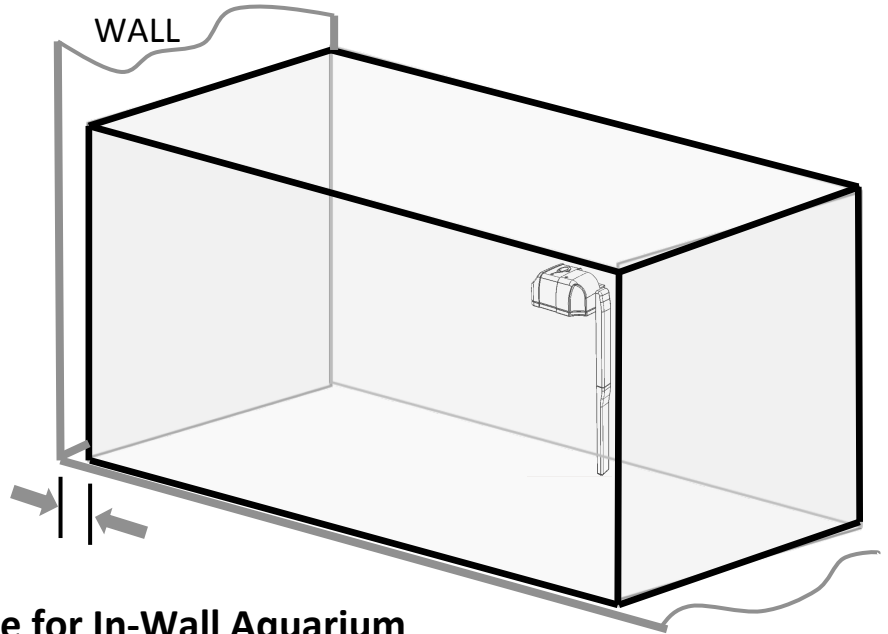


Rimless type Aquarium

2. INSTALL THE DOCKING STATION WITH GUIDE ARMS ON AQUARIUM

In-Wall Installation:

Aquarium should be recessed by 6mm or .25" into wall.

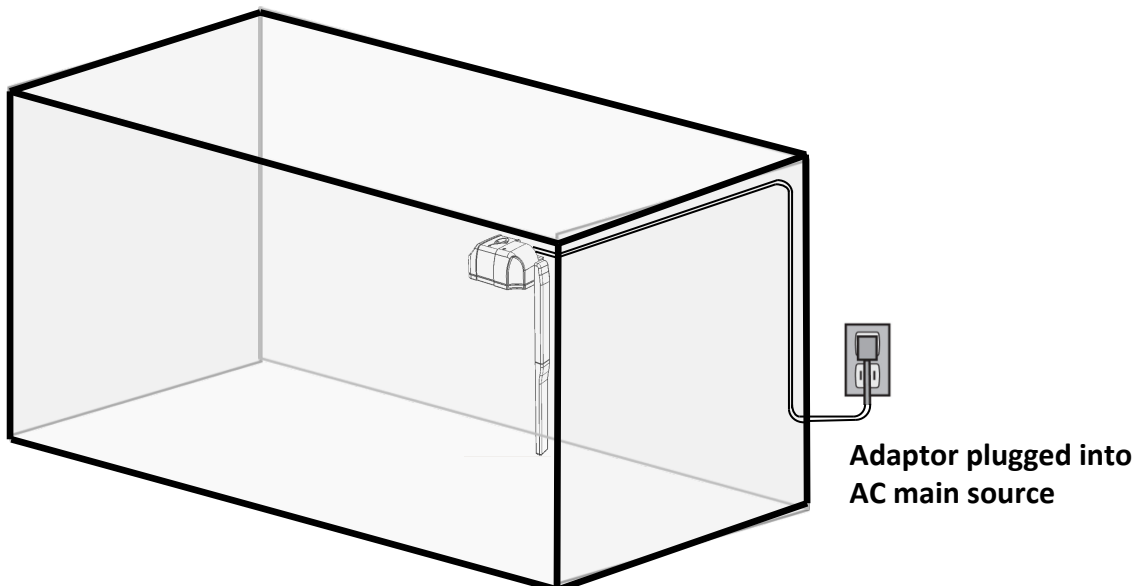


Installation note for In-Wall Aquarium

Clearance between wall and aquarium for in-wall installations should not exceed 0.5" (12mm) for optimum cleaning performance at most left.

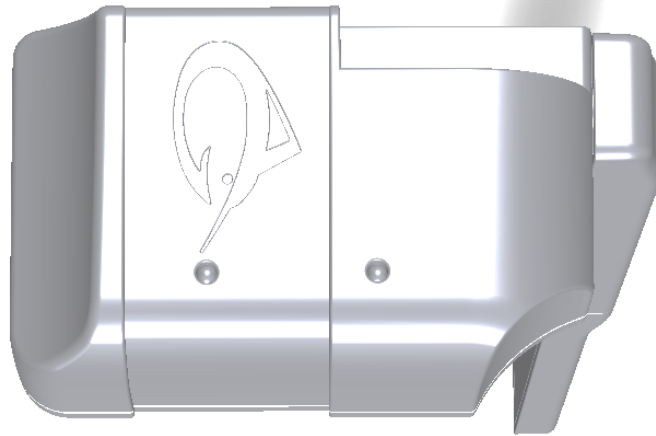
NOTE: THE COMPLETE IN-WALL AQUARIUM INSTALLATION GUIDE INCLUDED IN ONLINE MANUAL, www.robosnail.com .

Step 7. Route adaptor wire where desired, then connect adaptor plug to AC main outlet. Make sure wiring will not interfere with the RoboSnail's cleaning path.

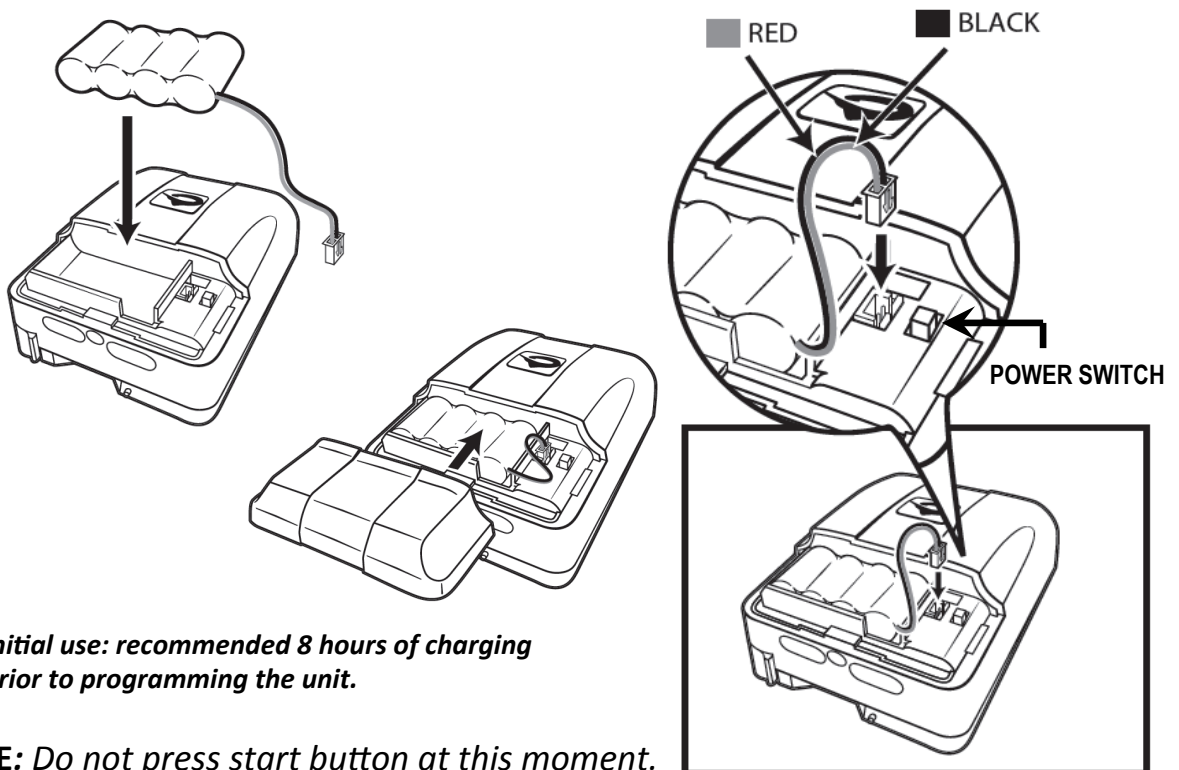


3. POWER UP DOCKING STATION, INSTALL BATTERY FOR ROBOSNAIL®

Step 8. After powering up the docking station, the red LED indicator on left will be on.

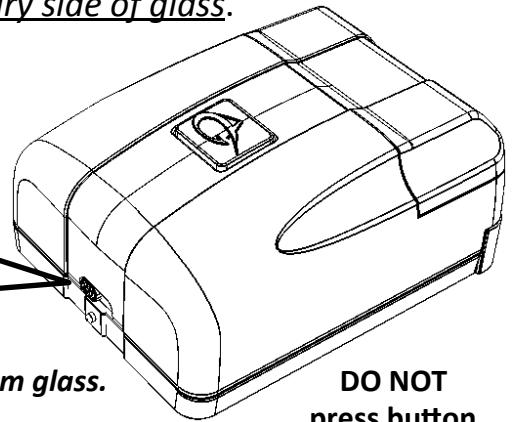
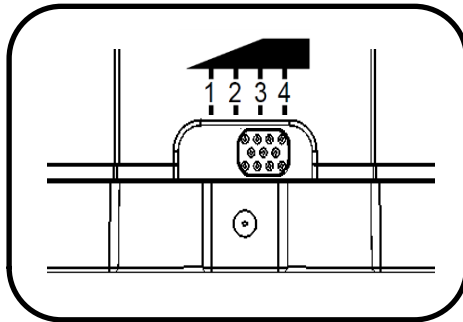


Step 9. Install battery into main drive unit as illustrated, then slide power switch to ON and close battery door. Start button will then be red.



4. MOUNT ROBOSNAIL® AND SWEEPER ONTO AQUARIUM

Step 10. Refer to following table, choose proper Glass thickness setting before mounting RoboSnaail onto dry side of glass.



*Default setting is mode 3 for 10mm thick aquarium glass.
Mode 4 of setting is reserved for future use.*

**DO NOT
press button.**

Stock Aquarium Range: 0.25"(6mm) to 0.40"(10mm) glass thickness

Setting	US Gallons	Litres	Inches (L x D x H)	Centimeters (L x D x H)
1 0.25"(6mm)	55	208.2	48 x 13 x 21	121.9 x 33.0 x 53.3
	65	246.1	37 x 19 x 25	94.0 x 48.3 x 63.5
	75	283.9	48 x 19 x 22	121.9 x 48.3 x 55.9
2 0.31"(8mm)	80	302.8	73 x 14 x 21	185.4 x 35.6 x 53.3
	90	340.7	49 x 19 x 26	124.5 x 48.3 x 66.0
	100	378.5	73 x 19 x 20	185.4 x 48.3 x 50.8
3 0.40"(10mm)	120	454.2	49 x 25 x 26	124.5 x 63.5 x 66.0
	125	473.2	73 x 19 x 24	185.4 x 48.3 x 61.0
	150	567.8	73 x 19 x 29	185.4 x 48.3 x 73.7

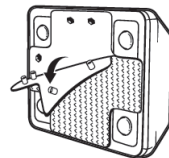
Setting are a guide. Use a ruler to measure glass thickness of your aquarium, or contact your aquarium manufacturer for details. Once you've determined the thickness of your aquarium glass, set the glass variance switch to match the thickness or approximate range of thickness.

Maximum glass pane thickness should not exceed 0.40" (10mm) glass thickness.

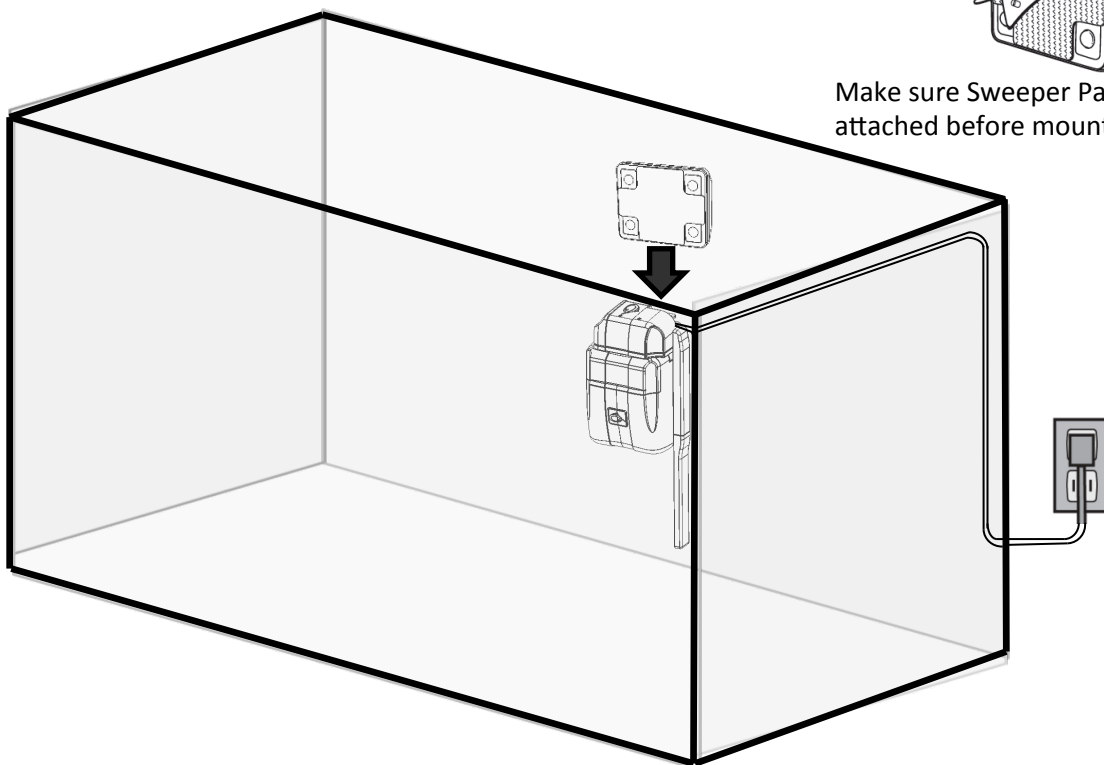
Note: Operating in excess of defined parameters may cause inconsistent performance, or damage the unit.

4. MOUNT ROBOSNAIL® AND SWEEPER ONTO AQUARIUM

Step 11. Put RoboSnail on outer glass (dry side), park and hold it on docking station as illustration by one hand. Then place the Sweeper by opposite hand to inner glass (wet side), and match to the bottom of the RoboSnail until held together by magnetic field.



Make sure Sweeper Pad is attached before mounting



WARNING: *Main unit must be outside (dry side) of the aquarium. Make sure the directions of both items are correct as shown. DO NOT press start button on RoboSnail while mounting it onto aquarium. Use Caution due to strong magnetic fields to avoid hurting fingers during installation of RoboSnail and Sweeper.*

RoboSnail is now charging

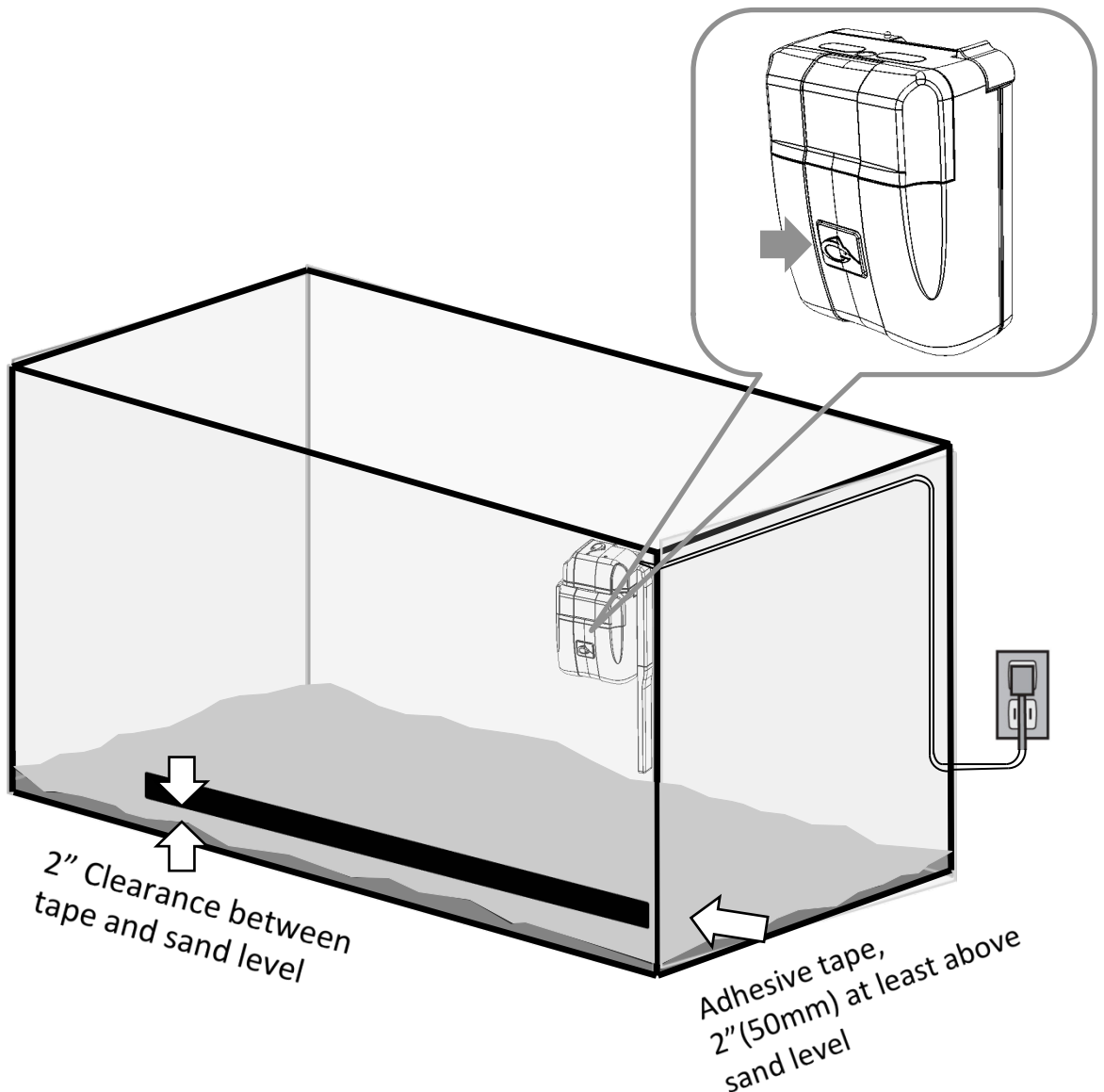
After RoboSnail is parked on docking station properly, “flashing green” indicator on right of docking station and “steady red LED” on left of docking station indicates the battery is charging. For initial use, allow battery to charge for at least 8 hours before programming unit to clean. RoboSnail is ready for programming when start button turns to a “steady green”.

5. Program ROBOSNAIL® cleaning path

Option: Prepare one roll of 1/2 " wide adhesive tape. (as a visual reference tool)

Apply tape horizontally 2" (50mm) at least above sand/gravel level if any for use as a quick reference tool when programming the unit.

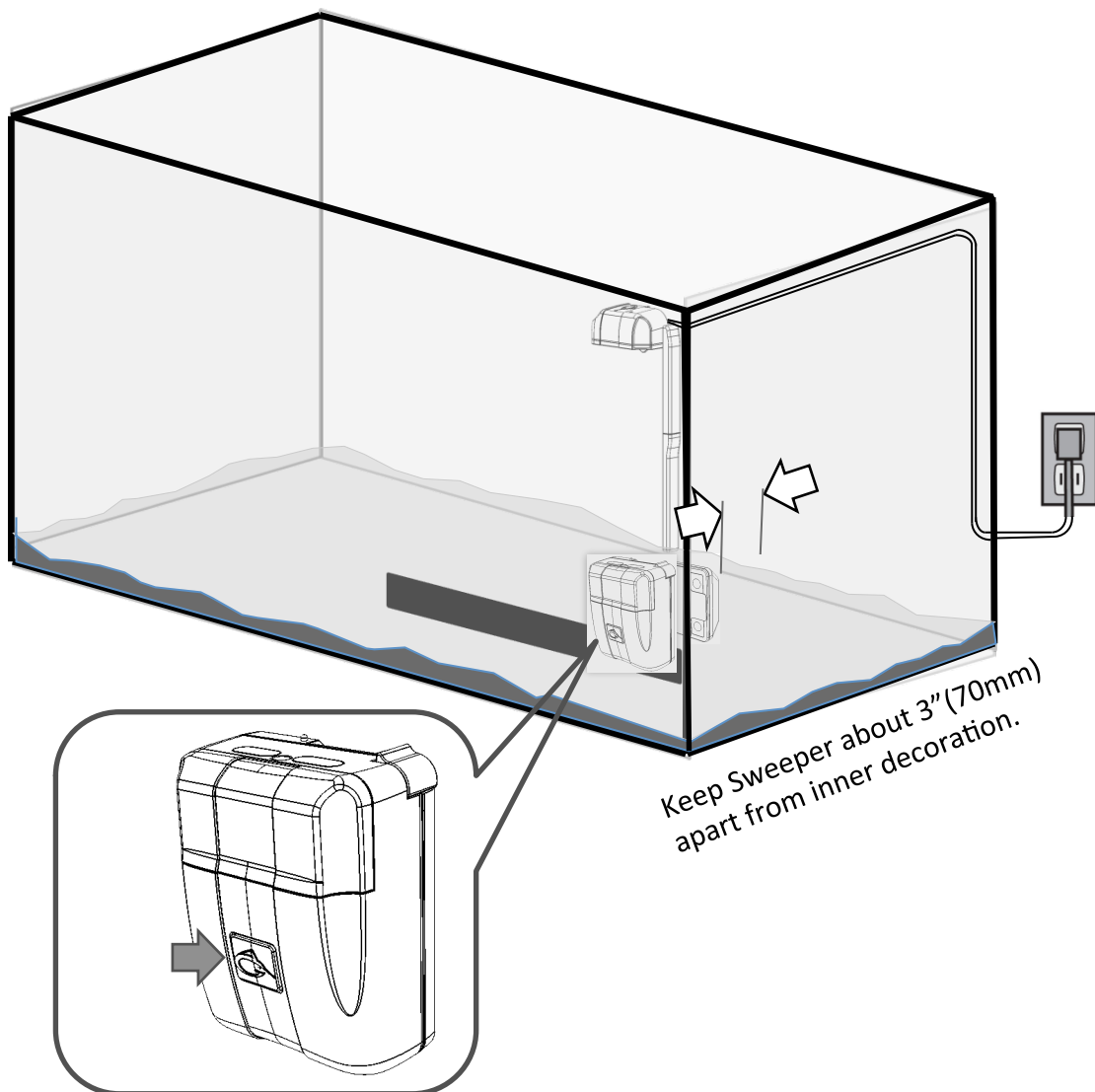
Step 1. To begin RoboSnail programming , press "steady green" (fully charged start button) and hold until start button changes to "flashing green" and enters program mode.



NOTE: It is better to program RoboSnail a few hours before you sleep.

5. Program ROBOSNAIL® cleaning path

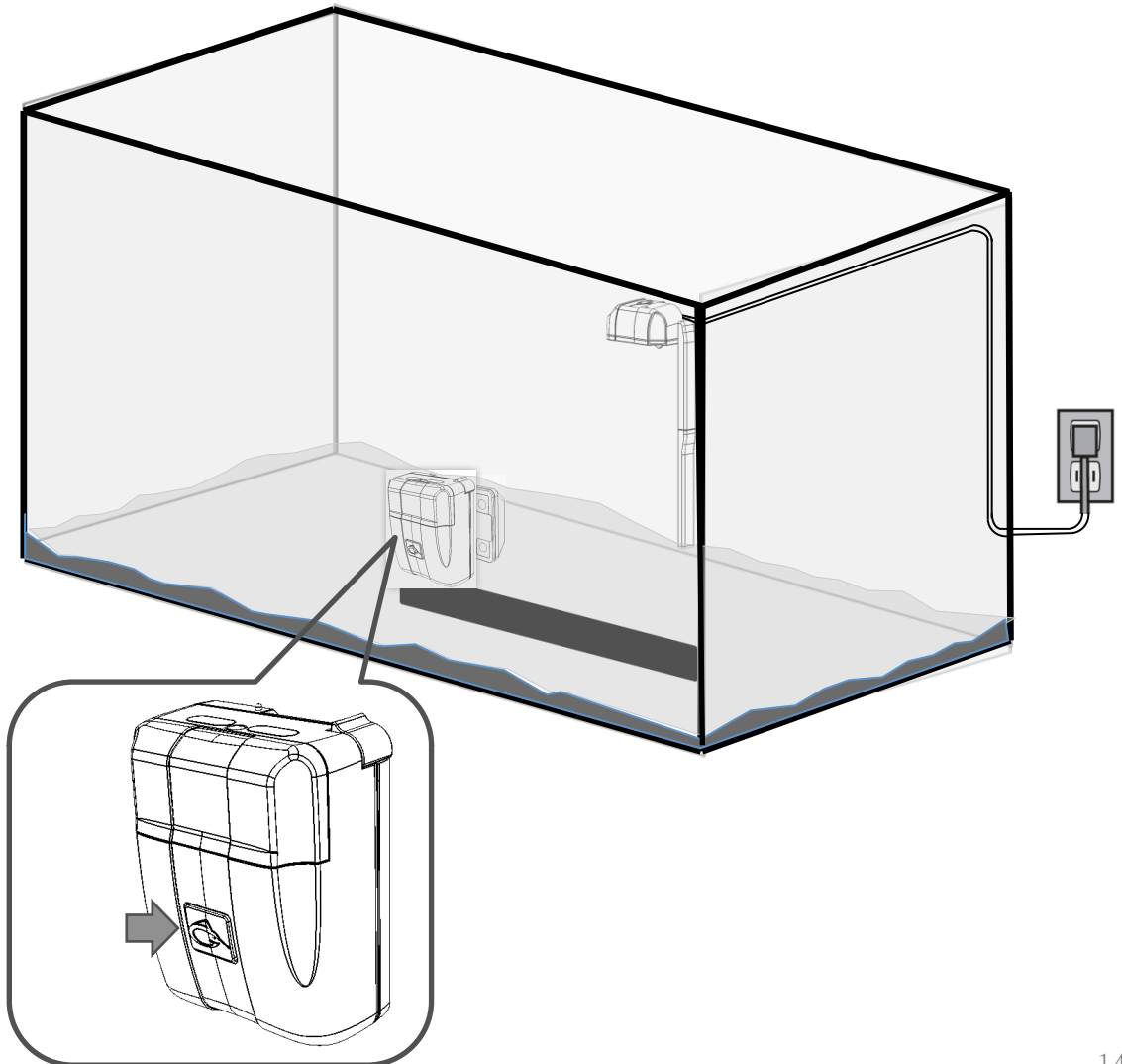
Step 2. RoboSnail is now moving downward with start button “flashing green”, PRESS BUTTON once unit is close to upper edge of tape position. Start button now changes to “steady green”. Unit recorded first baseline (tape) above sand level.



NOTE: If there is an obstruction as mentioned, it may cause the unit to lose its magnetic grip and fall. This may damage the unit or result in personal injury!

5. Program ROBOSNAIL® cleaning path

- Step 3.** RoboSnail rotates left and switches to second column, and moves upward. Start button will remain a “solid green” during this turn.
- Step 4.** RoboSnail’s start button will change to “flashing green” again after reaching the top edge of the aquarium. The unit then moves downward again. This alerts the user to press the start button again when it reaches upper edge of tape position for a second time. Once pressed again, it turns to “flashing blue”, this means programming is complete. The unit ends programming by returning and docking itself for charging.
- Step 5.** Remove the tape from aquarium after programming RoboSnail. Clean adhesive residues off as necessary.

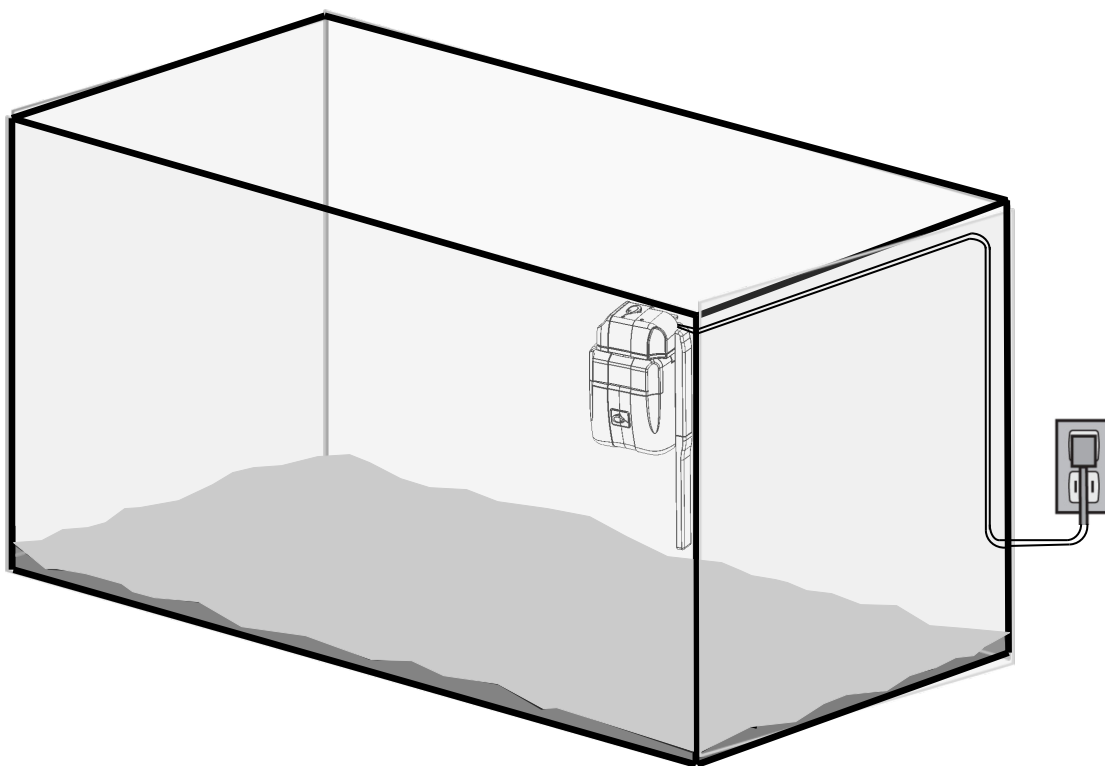


6. ROBOSNAIL® is ready for Cleaning Duty

Step 1. After RoboSnail programming, the main unit should be parked to docking station properly. The RoboSnail is now charging its battery for its cleaning mode. The power button will be “steady red”, and the right indicator LED on docking station will be “flashing green” and left LED on docking station will be solid red. The RoboSnail is now starting a 24-hour count-down for its next self-cleaning cycle. The RoboSnail will now activate every 24hrs automatically from your programmed time.

Step 2. For manual cleaning, activate the RoboSnail only when its fully charged. (start button is “steady green”).

NOTE: *Once manually activated, the unit will count-down the next 24-hour cleaning cycle based on the last activation time. Avoid doing this at night time before you are going to sleep.*



7. Tips on Cleaning tires for ROBOSNAIL[®] for optimum performance

1. Regular cleaning of the tires on main drive unit will keep your RoboSnail at optimum performance.
 - a) When should you clean the tires?
 - Once RoboSnail has a deviation, or
 - Every three months;
 - b) How you can easily clean the tire surfaces.
 - Unplug adaptor from main power outlet;
 - Detach main drive unit with one hand while simultaneously holding sweeper with the opposite hand
 - Keep main drive unit powered on as usual;
 - Prepare one damp cloth for cleaning;
 - Follow steps as illustrated below.

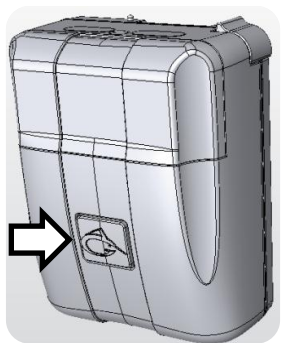


Figure 1

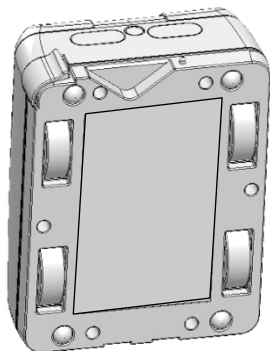


Figure 2

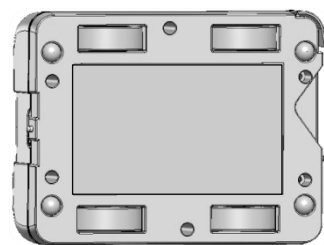


Figure 3

- Step 1: Hold Main Drive Unit with one hand as Figure 1.
- Step 2: Press button once as Figure 1, by opposite hand. button changes to “flashing blue”. Left and right pairs of tires begin rotating in opposite directions.
- Step 3: Keep holding Unit as Figure 2, by one hand, hold a damp cloth with opposite hand, press along each moving tires surface.
- Step 4: Orient Drive Unit as Figure 3, left and right pairs of tires change direction of rotation. While using a damp cloth press along each moving tires surface.
- Step 5: Repeat steps 3 and 4 until you feel tires are clean enough.
- Step 6: Repeat steps 3 and 4 with a dry cloth, and dry off tires completely.
- Step 7: Power reset Unit: (open battery door, slide power switch to OFF, then ON, then close battery door).

NOTE: DO NOT press button again.

- Step 8: Follow Quick Start Guide, install RoboSnail and Sweeper.

IMPORTANT: Safety Warnings

- The RoboSnail utilizes very powerful magnets and can cause severe personal injury.
- **CAUTION: NEVER** place either half of this device near magnetically attractive surfaces or sensitive electronic devices. Magnetic sensitive devices and cards, such as hard disk drives, credit cards with magnetic tape are also included. Always keep these items away when close to this product.
- Do Not Drop Your RoboSnail – The RoboSnail is a highly engineered robotic device designed with sensitive electronic internal components that make the product small and efficient. As a result, the RoboSnail is fragile. All precautions must be taken to avoid dropping the outside drive unit. After a fall onto the floor, the outer unit side may be permanently damaged. Evidence of this will not be covered under warranty.
- You must have adequate clearance between the inner sweeper (wet side) member and any décor such as rock, coral, etc., to avoid the inner member from breaking its magnetic coupling to the outside (dry side) control unit. Improper set up may cause the outer control unit (dry side) to fall and break voiding warranty.
- Operation is subject to the following two conditions: (1) this device may not cause interference, and (2) this device must accept any interference including interference that may cause undesired operation of the device.
- **DANGER:** To avoid possible electrical shock, special care should be taken since water is employed in the use of aquarium equipment.
- Make sure an appliance mounted on a tank is securely installed before operating it. Read and observe all the important notices on the appliance.
- Do not attempt repairs yourself, return the appliance to the manufacturer for service or discard the appliance.
- Do not operate any appliance if it has a damaged cord or plug.
- To avoid the possibility of the appliance plug or receptacle getting wet, position aquarium stand to one side of a wall mounted receptacle to prevent water from dripping onto the receptacle or plug. The “drip loop” should be arranged by the user for each cord connecting an aquarium appliance to a receptacle. A “drip loop” is that part of the cord below the level of the receptacle, or the connector if an extension cord is used, to prevent water traveling along the cord and coming in contact with the receptacle. If the plug or receptacle does get wet, DON'T unplug the cord. Disconnect the fuse or circuit breaker that supplies power to the appliance, then unplug and examine for presence of water in the receptacle.
- Always check dry side of glass, clean surface if it is greasy, dusty, condensed moisture due to high temperature difference between water in tank and environment high relative humidity (R.H. in %).
- This household product is for indoor use only. Do not install or store the appliance outdoor, or below freezing temperature.
- This appliance is not intended for use by persons (including children) with significantly impaired physical or mental capabilities, unless they have given supervision or instructions concerning the use of the appliance by a person responsible for their safety. Children should always be supervised to ensure that they do not play with appliance.
- Always unplug the appliance from a mains outlet and remove battery backup when not in use or prior to routine device cleaning, before putting on or taking off parts. It is important to keep this appliance clean.
- Use both hands when manipulating this appliance. Wipe exposed surfaces carefully with a damp cloth to remove any dust or deposits that may collect over time. Make sure all surfaces are dry before reconnecting the appliance.
- Never yank cord to pull plug from mains outlet. Grasp the plug and pull to disconnect.
- Close supervision is necessary when an appliance is used by or near children.
- Do not use an appliance for other than intended use. The use of attachments not recommended or sold by the appliance manufacturer may cause an unsafe condition.
- If the use of an extension cord is necessary, an extension cable with proper electrical rating should be used. Care should be taken to arrange the cable so that it will not be tripped over or pulled.
- Use only the adaptor supplied with this unit to power the charging system.
- Servicing: In order to assure proper electrical connection and polarity, replacement parts and servicing should be performed by a qualified electrician.

Warranty

AquaGenesis International warrants to the original purchaser only that the RoboSnail Automated Aquarium glass cleaner will be free from defects in material and workmanship under normal use for a period of (1) year from the date of original purchase if the product is installed and used properly and consistent with the User Manual. The RoboSnail consists of a wet side sweeper unit that will be fully submerged in the aquarium and a motor and drive Unit (dry side) that must not be exposed to water at any time. The AquaGenesis International warranty shall not apply: (i) to any damaged RoboSnail that has been subjected to accident, misuse, neglect, alteration, acts of God, improper handling, improper transport, improper storage, improper use or application, improper installation, improper testing or unauthorized repair, (ii) to any RoboSnail where the motor and/or drive Unit or dockingstation have been exposed to water or (iii) to cosmetic problems or defects that result from normal wear and tear under ordinary use, and do not affect the performance or use of the product. The AquaGenesis International Incorporated warranty applies only to a product that is manufactured by or for AquaGenesis International and identified by the AquaGenesis International Incorporated trademark, trade name or product identification logo affixed to the product. If you notice a problem with your RoboSnail, do not attempt to repair it yourself. Any attempts at self repair shall void this limited warranty. AquaGenesis shall not be held liable for damage to any aquarium, aquarium life forms, or other personal objects due to improper use of the device. If the product develops a covered defect within the one-year period, AquaGenesis International will, at its option, either repair or replace the RoboSnail without charge, provided that the RoboSnail is returned during the warranty period. Because the construction of aquariums varies from each manufacturer and the operating conditions of each individual aquarist is different, there is a possibility that the RoboSnail may cause damage to your aquarium. Please contact your aquarium manufacturer to determine if your aquarium is properly built and recommended for the RoboSnail. If you notice any damage to your aquarium, including but not limited to crazing, cracking, bending, scratching, etc, immediately discontinue the use of the RoboSnail. AquaGenesis will not be liable for any damage caused to your aquarium resulting from the use of the RoboSnail.

To obtain warranty service or technical support, please contact the AquaGenesis International customer service department at info@agiaquatics.com You will receive instructions on how to return the product for repair or replacement. To take advantage of this Limited Warranty you will be required to supply an original point of purchase receipt.

AQUAGENESIS INTERNATIONAL INCORPORATED DISCLAIMS ALL OTHER WARRANTIES WHETHER ORAL OR WRITTEN, EXPRESS OR IMPLIED, TO THE FULLEST EXTENT ALLOWED BY APPLICABLE LAW. NO IMPLIED WARRANTY OF FITNESS FOR A PARTICULAR PURPOSE OR MERCHANTABILITY SHALL APPLY EXCEPT AS REQUIRED BY APPLICABLE LAW. AQUAGENESIS INTERNATIONAL DOES NOT AUTHORIZE ANY PERSON OR BUSINESS ENTITY, INCLUDING ITS AUTHORIZED DEALERS, TO CREATE FOR IT ANY OBLIGATIONS, LIABILITIES, OR OTHER WARRANTIES IN CONNECTION WITH THIS PRODUCT. ALL WARRANTIES ARE VOID IF THERE IS DAMAGE TO THE ROBOSNAIL AUTOMATED AQUARIUM GLASS CLEANER THAT IS NOT A RESULT OF A DEFECT IN THE MATERIALS OR WORKMANSHIP. THE SOLE AND EXCLUSIVE REMEDY FOR ALL CLAIMS THAT YOU MAY HAVE ARISING OUT OF OR IN CONNECTION WITH YOUR USE OF THIS PRODUCT, WHETHER MADE OR SUFFERED BY YOU OR ANOTHER PERSON AND WHETHER BASED IN CONTRACT OR TORT, SHALL BE REPAIR OR REPLACEMENT OF THE PRODUCT. IN NO EVENT WILL AQUAGENESIS INTERNATIONAL BE LIABLE TO YOU OR ANY OTHER PARTY FOR ANY DIRECT, INDIRECT, GENERAL, SPECIAL, INCIDENTAL, CONSEQUENTIAL, EXEMPLARY OR OTHER DAMAGES ARISING OUT OF THE USE OR INABILITY OF TO USE THE PRODUCT (INCLUDING, WITHOUT LIMITATION, DAMAGES FOR LOSS OF BUSINESS PROFITS, BUSINESS INTERRUPTION, LOSS OF INFORMATION OR ANY OTHER PECUNIARY LOSS, DAMAGE TO YOUR AQUARIUM OR ANY AQUARIUM INHABITANTS), OR FROM ANY BREACH OF WARRANTY, EVEN IF AQUAGENESIS INTERNATIONAL INCORPORATED HAS BEEN ADVISED OF THE POSSIBILITY OF SUCH DAMAGES. IN NO CASE SHALL AQUAGENESIS INTERNATIONAL'S LIABILITY EXCEED THE AMOUNT YOU PAID FOR THE PRODUCT. IF YOU DISAGREE WITH THESE TERMS AND CONDITIONS DO NOT USE THE ROBOSNAIL AUTOMATED AQUARIUM GLASS CLEANER.

Some states do not allow the exclusion or limitation of incidental or consequential damages, so the above exclusions may not apply to you. AquaGenesis International's warranty is governed by the laws of the State of California, excluding its conflict of laws principles and excluding the provisions of the United Nations Convention on Contracts for the International Sale of Goods. This warranty gives you specific legal rights, and you may also have other rights, which vary from state to state.

Disclaimer

The RoboSnail automated aquarium glass cleaner is a preventative cleaning tool designed to help prevent the formation of stubborn varying types of algae build up.

The RoboSnail is not designed for scrubbing of the aquariums surface to remove already established algae cultures and should not be used as such,

RoboSnail may not be as effective on older established aquariums as on new aquariums. Algae on old aquariums have the tendency to bond more closely to the porous consistency of the aquariums glass/acrylic surface. Aquariums with long time established algae cultures, especially marine tanks, can be especially difficult to clean and may require extra maintenance. The aquarium surface should be cleaned and prepared as thoroughly as possible to ensure the best possible results for the RoboSnail.

The RoboSnail alone may not be 100% effective at preventing all algae from forming and may require the user the occasional manual maintenance.

Certain animals that stay on the aquarium glass may not be combatable with the RoboSnail and may vary from user to user. Such animals for example such as star fish or large turbo snails may cause problems for the RoboSnail in completing its cleaning function. It is recommended that such animals in the aquarium that may impede the RoboSnail performing during its cleaning functions be removed to prevent possible damage to the main unit that may result in the voiding of the product warranty.

The RoboSnail is designed only to clean one side of aquarium glass at a time and can not go around corners. This product is designed exclusively for glass-type aquariums, not suitable for acrylic aquariums.

Results may vary by user due to the types of aquariums system, lighting conditions, and water conditions that may affect the rate at which algae grows in the user's aquarium.



AQUAGENESIS®
INTERNATIONAL

350 10th Avenue, Suite 1000
San Diego, California, 92101-7496
agiaquatics.com